



REF: 277270

**Congratulations on purchasing your
new Miro extractor!**

**Register your 2 years parts and labour
warranty now:**

www.miroproducts.co.uk/register-warranty/

or

scan the QR code below



**Miro Products Limited
Unit 9, Evolve@Vision Park
Whittle Way
Burnley, Lancashire
BB12 0AW
01282 450238**

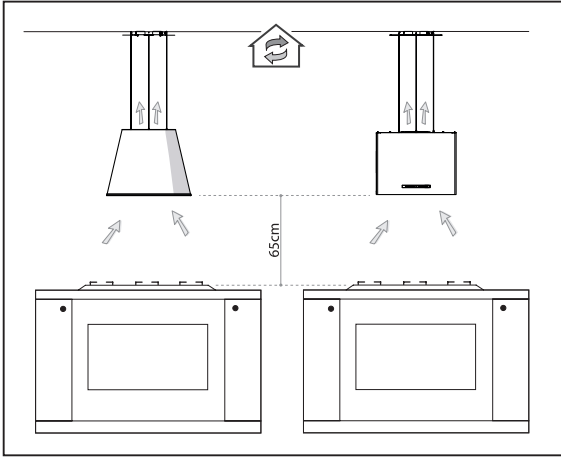


Fig.1

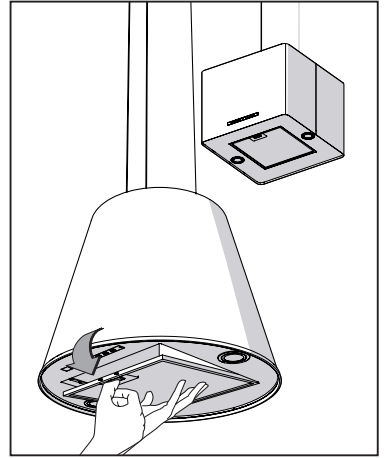
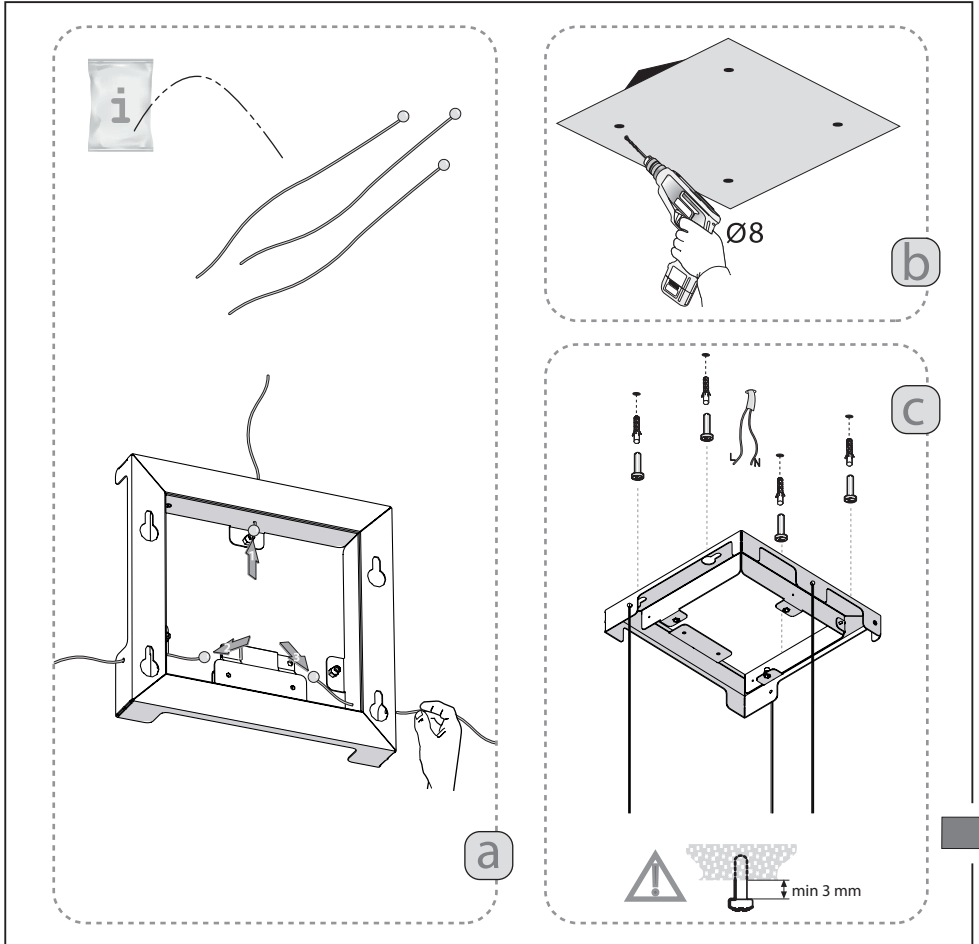


Fig.2



a

b

c

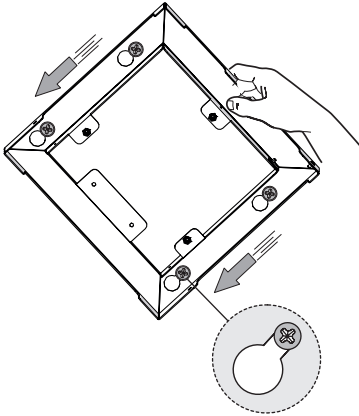


min 3 mm

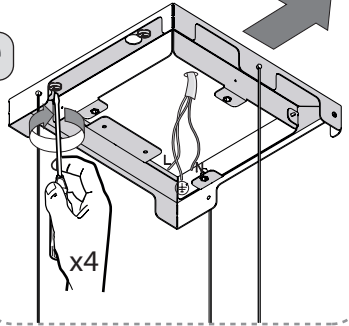


FRONT

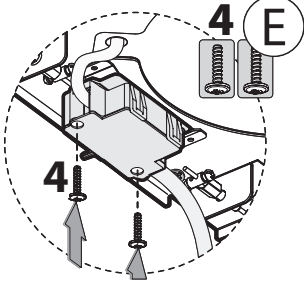
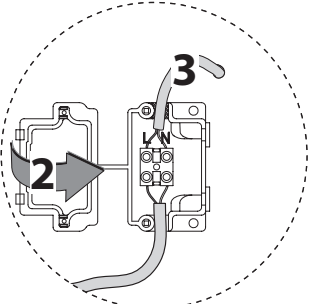
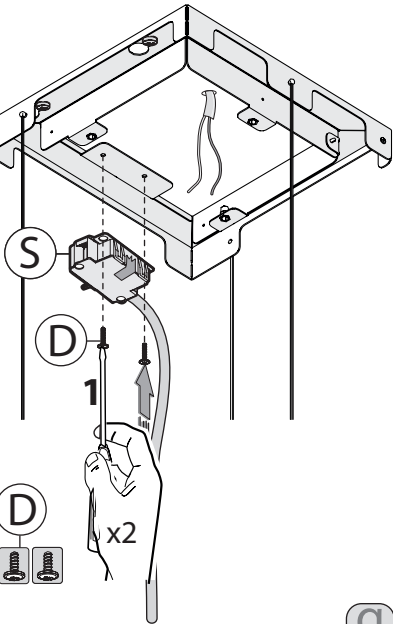
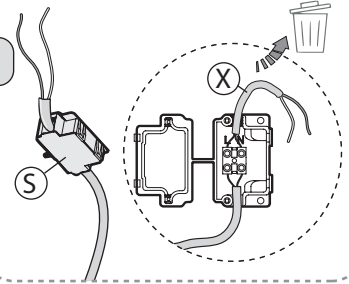
d



e



f



g

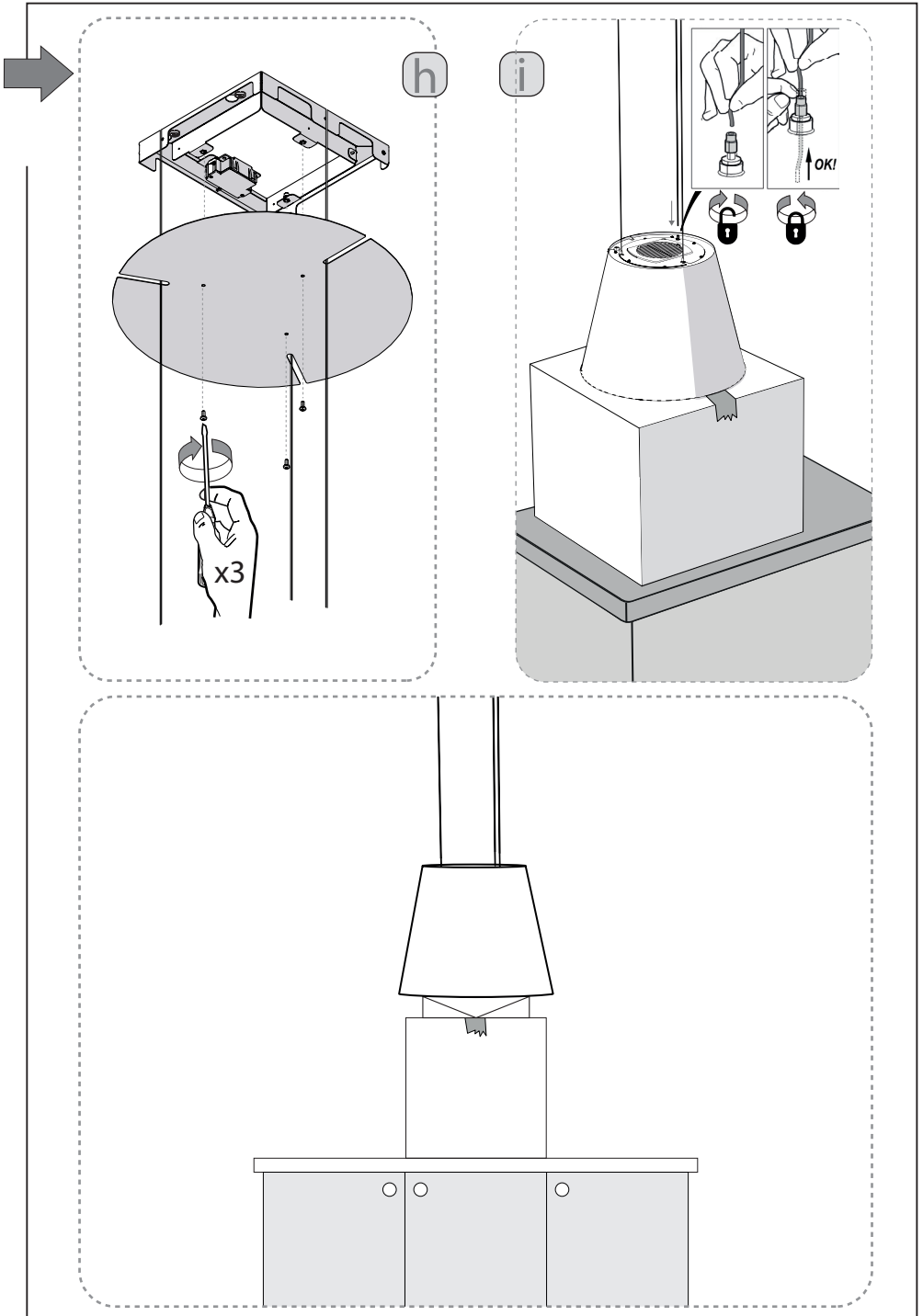


Fig.3

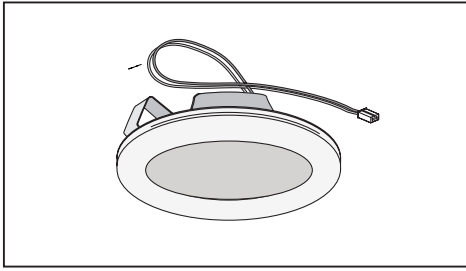


Fig.4

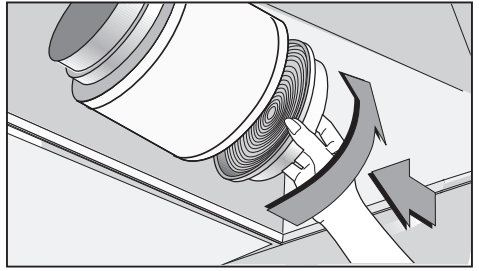


Fig.5

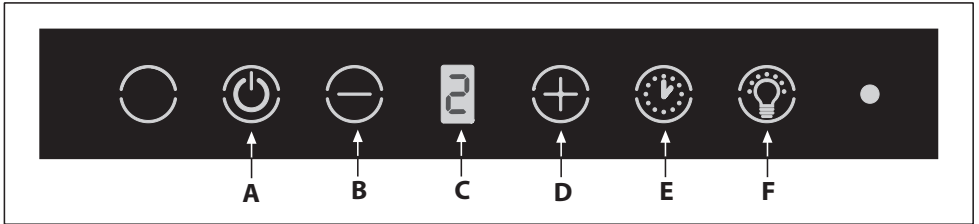
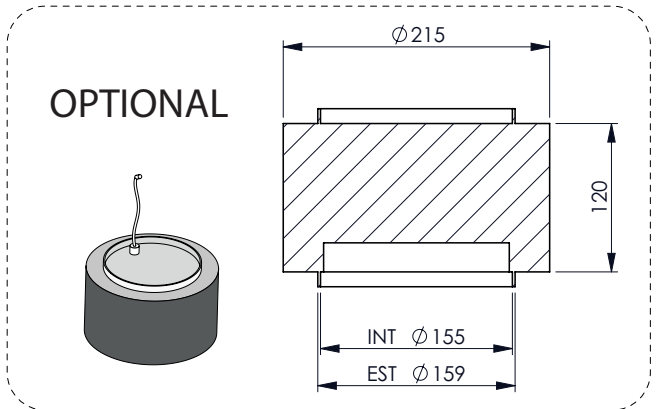
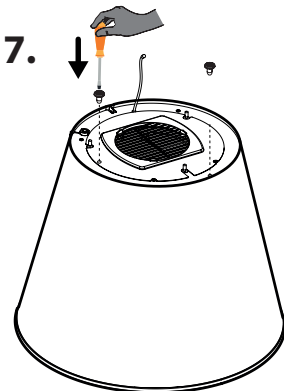
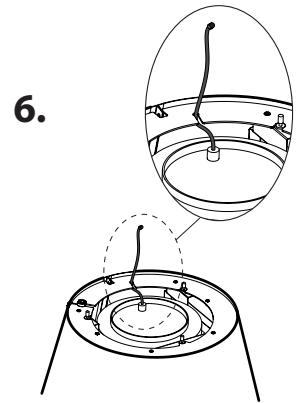
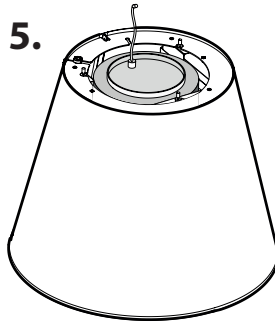
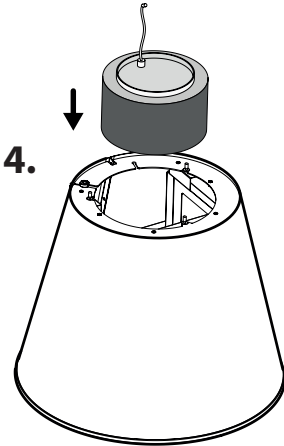
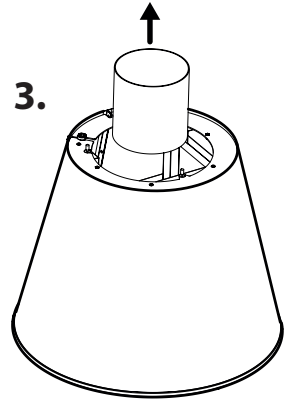
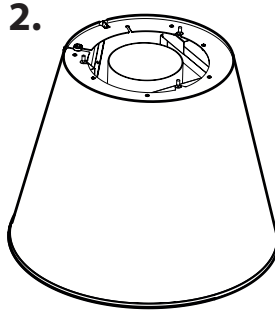
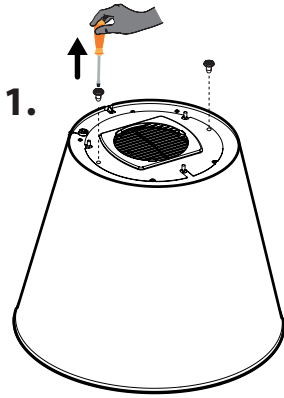


Fig.6

PLASMA FILTER READY



GENERAL

Carefully read the following important information regarding installation safety and maintenance. Keep this information booklet accessible for further consultations. The appliance has been designed for use in the filtering version (air circulation on the inside - Fig.1).

SAFETY PRECAUTION

1. Take care when the cooker hood is operating simultaneously with an open fireplace or burner that depend on the air in the environment and are supplied by other than electrical energy, as the cooker hood removes the air from the environment which a burner or fireplace need for combustion. The negative pressure in the environment must not exceed 4Pa (4x10⁻⁵ bar). Provide adequate ventilation in the environment for a safe operation of the cooker hood. Follow the local laws applicable for external air evacuation.

Before connecting the model to the electricity network:

-Control the data plate (positioned inside the appliance) to ascertain that the voltage and power correspond to the network and the socket is suitable. If in doubt ask a qualified electrician.
-If the power supply cable is damaged, it must be replaced with another cable or a special assembly, which may be obtained direct from the manufacturer or from the Technical Assistance Centre.

2. Warning!

In certain circumstances electrical appliances may be a danger hazard.

A) Do not check the status of the filters while the cooker hood is operating.

B) Do not touch bulbs or adjacent areas, during or straight after prolonged use of the lighting installation.

C) Flambè cooking is prohibited underneath the cooker hood.

D) Avoid free flame, as it is damaging for the filters and a fire hazard.

E) Constantly check food frying to avoid that the overheated oil may become a fire hazard.

F) Disconnect the electrical plug prior to any maintenance.

G) This appliance can be used by children aged from 8 years and above and persons with reduced physical, sensory or mental capabilities or lack of experience and knowledge if they have been given supervision or instruction concerning use of the appliance in a safe way and understand the hazards involved. Children shall not play with the appliance. Cleaning and user maintenance shall not be made by children without supervision.

H) Young children should be supervised to ensure they do not play with the appliance.

I) There shall be adequate ventilation of the room when the rangehood is used at the same time as appliances burning gas or other fuels.

L) There is a risk of fire if cleaning is not carried out in accordance with the instructions.

M) The use of an induction hob promotes the formation of condensation on surrounding surfaces and objects.

INSTALLATION INSTRUCTIONS

- Assembly and electrical connections must be carried out by specialised personnel.

• Wear protective gloves before proceeding with the installation.

Insulation class II

-The appliance has been manufactured as a class II, therefore no earth cable is necessary. The plug must be easily accessible after the installation of the appliance. If the appliance is equipped with power cord without plug, a suitably dimensioned omnipolar switch with 3 mm minimum opening between contacts must be fitted between the appliance and the electricity supply in compliance with the load and current regulations.
-The connection to the mains is carried out as follows:
BROWN = **L** line
BLUE = **N** neutral.

• If the hob is electric, gas, or induction, the minimum distance between the same and the lower part of the hood must be at least **65 cm**. If a connection tube composed of two parts is used, the upper part must be placed outside the lower part. Do not connect the cooker hood exhaust to the same conductor used to circulate hot air or for evacuating fumes from other appliances generated by other than an electrical source.

• Fixing:

- Expansion wall plugs are provided to secure the hood to most types of walls/ceilings. However, a qualified technician must verify suitability of the materials in accordance with the type of wall/ceiling. The wall/ceiling must be strong enough to take the weight of the hood.

- Follow the instructions in figure 3.

- Remove cable X as in figure 3f.

- Before completing the **electrical connection**, fasten the box S to the bracket using the 2 screws D figure 3g - phase 1.

- Open the box lid S removing the adhesive tape.

- Connect to the electrical network as shown in figure 3g - phase 2.

- Close the lid of the box S figure 3g - phase 3, and fasten with the two screws E figure 3g - phase 4.

USE AND MAINTENANCE

• We recommend that the cooker hood is switched on before any food is cooked. We also recommend that the appliance is left running for 15 minutes after the food is cooked, in order to thoroughly eliminate all contaminated air. The effective performance of the cooker hood depends on constant maintenance; the anti-grease filter and the active carbon filter both require special attention.

• **The anti-grease filter (Fig.2)** is responsible retaining the grease particles suspended in the air, therefore it is subject to clogging with variable frequency according to the use of the appliance.

- To prevent the danger of possible fires, at least every 2 months one must wash the anti-grease filters by hand using non-abrasive neutral liquid detergents or in the dishwasher at low temperatures and on short cycles.

- After a few washes, colour alterations may occur. This does not give the right to claim their replacement.

• **The active carbon filters (Fig.4)** are used to purify the air that is sent back into the room and its function

is to mitigate the unpleasant odours produced by cooking.

- The non-regenerable active carbon filters must be replaced at least every 4 months. The saturation of the active charcoal depends on the more or less prolonged use of the appliance, on the type of kitchen and on the frequency with which anti-grease filter is cleaned.

• **Before remounting the anti-grease filters it is important that they are completely dry.**

• **Clean the hood frequently, both internally and externally, using a cloth dampened with denatured alcohol or neutral liquid detergents that are non abrasive.**

• The lighting system is designed for use during cooking and not for the prolonged general lighting of the room. The prolonged use of the lighting system significantly decreases the average duration of the bulbs.

• **Attention:** the non compliance with the hood cleaning warnings and with the replacement and cleaning of the filters entails risk of fires. One therefore recommends keeping to the suggested instructions.

• Replacing LED lamps (Fig.5):

If the appliance version is with **LED** lamps, the intervention of a specialised technician is necessary to replace them.

• Control (Fig.6):

NOTE: with this command it is also possible to control the appliance using a remote control, to be requested as an accessory.

A Button = Switches the hood on/off. The equipment switches on at the 1st speed.

B Button = Decreases motor speed.

C Display = Shows the selected motor speed and timer activation/intense speed/filter warning.

D Button = Increases motor speed.

Pressing the 4th speed button engages the intense function for 6 minutes, then the equipment goes back to working at the speed at which it was activated. During this function, the number 4 flashes on the display.

-If you wish to deactivate the function before the 6 minutes, press the **B** button.

Attention! Some models only work up to the 3rd speed and, therefore, do not have the intense function.

E Button = Pressing this button activates the Timer function even with any of the 1-2-3 speeds engaged (except the Intense function speed). When the Timer function is active, the set speed must flash on the display when the timer is activated.

After 15 minutes, at the end of the countdown, the hood switches off (motor and any lights remain on).

If the intense speed is engaged, the Timer cannot be activated.

-If you wish to deactivate the function before the 15 minutes, press the **E** button.

F Button = Switches the lights on/off.

• Anti-grease/active charcoal filters saturation:

-After **30 h** of operation, when the **C** display flashes, alternating the working speed with the letter **F** (i.e. **2** and **F**), this means that you need to wash the anti grease filters.

-After **120 h** of operation, when the **C** display flashes, alternating the working speed with the letters **C/F** (i.e. **2** and **C/F**), this means that you need to wash or replace

the **charcoal filters**.

-Once you have repositioned the clean filter, you need to reset the electronic memory with the hood on, pressing the **B** button for about **3 seconds**. After that time, the letter **E** appears on the display (reset confirmed) and the hood switches off.

THE MANUFACTURER DECLINES ALL RESPONSIBILITY FOR EVENTUAL DAMAGES CAUSED BY BREACHING THE ABOVE WARNINGS.



**Miro Products Limited
Unit 9, Evolve@Vision Park
Whittle Way
Burnley, Lancashire
BB12 0AW
01282 450238**

3011000182201